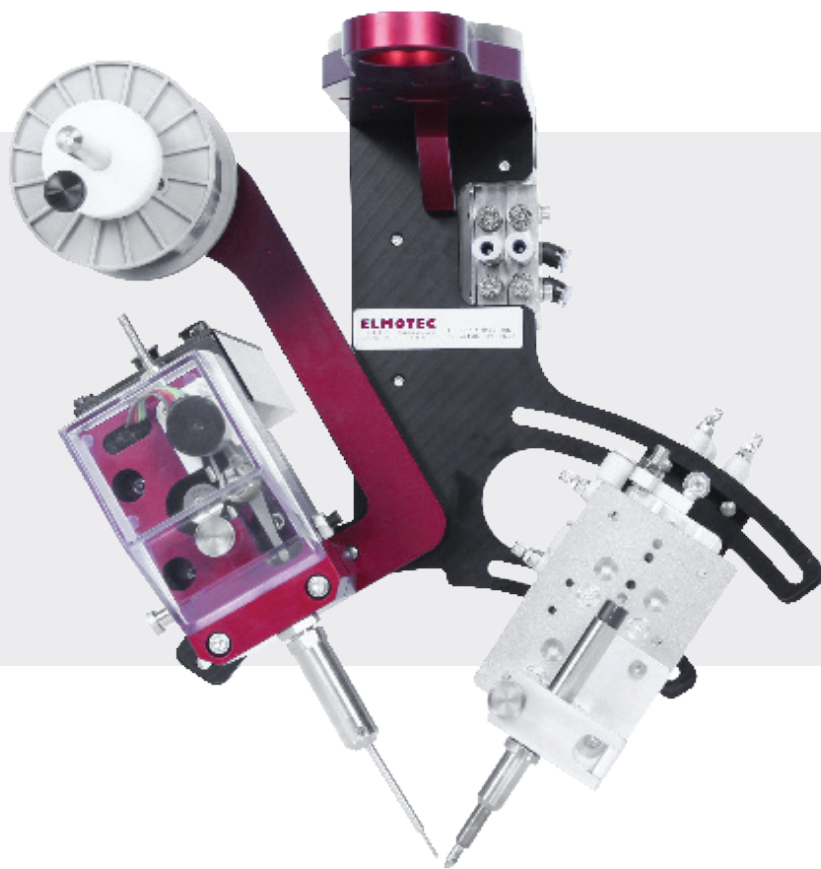


Soldering Head SH5500[®]

Intelligent technology for an
automated soldering process



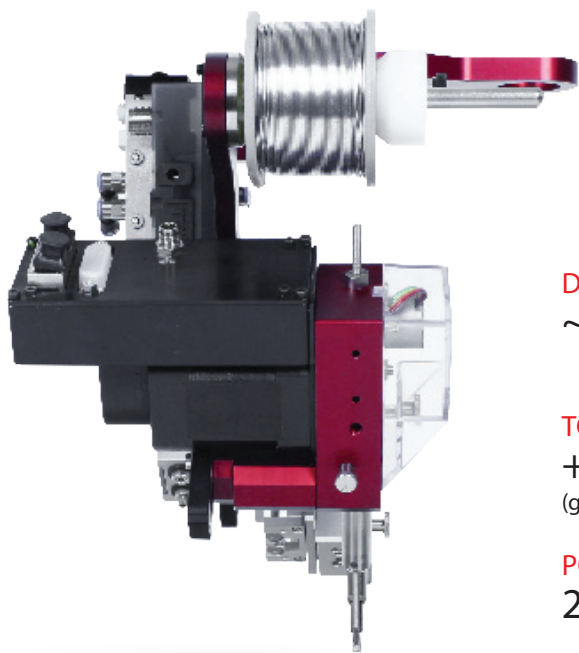
All-in-one
System

High-precision
wire feeder
(DVS 1490*)

Monitoring and
traceability

The **Soldering Head** combines the latest technologies
in soldering in one system.

Quick and simple integration on the robot



DIMENSIONS

~250x250x250 mm

TOLERANCE DVS

+/- 0.1 mm
(guide value)

POWER CONSUMPTION DVS

24 VDC / 5A

TOTAL WEIGHT

~ 4 kg
(excl. wire)

SPEED DVS

0.1 – 150 mm/s

INTERFACE DVS

Digital I/O, RS-232,
Profinet (optional)

Subject to technical changes

Advantages

- › Quick installation, start-up operation and maintenance
- › Monitoring and traceability (temperature, tin amount)
- › Position controlled feeder
- › Simple controlling:
 - › Wire feeder with RS-232 / Profinet
 - › Axis with Digital I/O
- › Work angle of soldering iron and wire adjustable
- › Brushless-DC motor in wire feeder DVS
- › High-performance closed-loop control in wire feeder
- › Different soldering systems integrable e.g. Weller, Erska, JBC, Metcal

Soldering Head SH5500®

Base model with
additional options

Standard incl.:

- › Pneumatic cylinder or electrical motor
- › Cleaning station
- › Wire adjustment unit
- › Cable length 5 m



0108888

Diagnosis wire end
Ø 0.23-2.0mm



DVS1490_Profinet
Profinet card



0109516

Suction front pipe
soft solder



KL1490L15

Cable length
15 m