



Small Conveyors

Overview - Status 04/2019 V1.0



ELMOTEC Antriebstechnik AG
Gewerbstrasse 30
CH-5314 Kleindöttingen
Phone: +41 (0) 56 245 65 65
Fax: +41 (0) 56 245 65 66
E-Mail: info@elmotec.ch
Homepage: www.elmotec.ch

Find your small conveyor - choose ...

1

Your size



2

Your belt type

- Polyurethane
- Polamyde fabric
- Silicone
- Polyester
- Etc.

3

Your drive

- Servo drive
- Variable speed drive
- Fixed drive
- Stepdrive
- Three-phase drive asynchronous drive

4

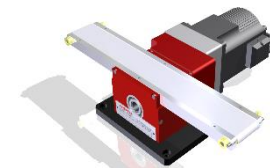
Options & special conveyors

- Lateral guide adjustable
- Wipers
- Flap systems
- Special lengths
- Special widths

5

Get in contact with us for your offer

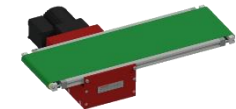
- info@elmotec.ch



Choose your **size**

1

Function / Type	MFB	KFB	FB	GFB
Belt width (B)	5, 10, 15, 20, 25, 30 mm	35, 100 mm	67, 87 mm	130, 150, 220, 310 mm
Belt length (L)	250 up to 2000mm	150 up to 1500 mm	150 up to 2000 mm	300 up to 2000 mm
Belt length graduation	50 mm	100 mm	100 mm	50 mm
Diameter of deflection roller	20 mm	8,5 mm ⁽⁴⁾	15 mm	15 mm
Max. area load	2 kg	2 kg	2 kg	3 kg
Belt plate	Anodized aluminum profile	Solid, milled aluminum	Solid, milled aluminum	anodized aluminum profile
Belt direction	Left/right rotation ⁽³⁾	Left/Right rotation ⁽³⁾	Left/right rotation ⁽³⁾	Left/right rotation ⁽³⁾
Belt speed	Variable / Fixed	Variable / Fixed	Variable / Fixed	Variable / Fixed
Drive position (X) ⁽⁵⁾	Freely movable	Optional, freely selectable	Optional, freely selectable	Freely movable
Belt installation position	engulfed	engulfed	overlying	overlying
Assembly type	Weight optimized	Solid construction	Solid construction	Heavy duty body



⁽³⁾ Depending on drive and controls

⁽⁴⁾ Design as knife edge

⁽⁵⁾ (0000 = central) (Xmin = 150mm Xmax = L - 150mm)

Choose your belt

	Field of application Properties	Surface material	Surface Texture	Surface Color	MHLW 370 (EU)10/2011 und (EG) 1935/2004 FDA 21CFR	Halal	HACCP	Antistatic	Chemical resistance	Permitted temperature
B	MFB/GFB Standard	Polyurethane	Fine texture	Black / green	Yes			Yes		-20/+60 °C
0.2	KFB/ FB Standard	Polyurethane	Smooth	White	Yes	Yes		Yes	U	-30/+100 °C, temporal +120 °C
Further options										
C	GFB Option	Polyurethane	Fine texture	White	Yes				U	-20/+60 °C, temporal +70 °C
D	GFB Option	Polyurethane	Fine texture	Green				Yes	U	-20/+50 °C
F	GFB Option	Polyamide fabric	Fabric	Black						-20/+70 °C
G	GFB Option	Polyurethane	Smooth	White	Yes	Yes	Yes	Yes	U	-30/100 °C, temporal 120 °C
H	GFB Option	Silicon	Fine texture	White						30/+80 °C
I	GFB Option	Polyurethane	Smooth	White	Yes	Yes	Yes	Yes	U	-30/100 °C, temporal 120 °C
K	GFB Option	Polyurethane	Smooth, low friction	White				Yes	U	-30/100 °C, temporal 120 °C
L	GFB Option	Polyamide	Impregnated fabric	Green						-30/+100 °C
N	GFB Option	Silicon	Matt	White	Yes	Yes		Yes	S	40/180 °C, temporal 190 °C
P	GFB Option	Polyester (PET)	Impregnated fabric	White	Yes	Yes		Yes		-30/+80 °C
0.5	KFB/ FB Option	Polyurethane	Fabric	Transparent	Yes	Yes		Yes	U0	30/+100 °C, temporal +120 °C
0.6	FB Option	Polyurethane impregnated	Smooth	White	Yes	Yes		Yes	S	-30/+100 °C, temporal +120 °C
10	FB Option	Silicon	Matt	White	Yes	Yes		Yes	U	-30/+100 °C, temporal +120 °C
12	FB Option	Polyurethane	Matt	White	Yes	Yes		Yes	S	-40/+180 °C, temporal +190 °C
13	FB Option	Silicon	Matt	Cobald blue	Yes	Yes		Yes	U	-30/+100 °C, temporal +120 °C
14	FB Option	Polyurethane	Fabric	Black				Yes		-20/+70 °C

Choose your drive (1/2)

Type / Function	Article number	MFB	KFB	FB	GFB
Servo drive 230VAC	H500050				
5:1	H500057	24-600 mm/s	24-600 mm/s	24-600 mm/s	24-600 mm/s ⁽¹⁾
10:1	H500118	12-400 mm/s	12-500 mm/s	12-500 mm/s	12-400 mm/s ⁽²⁾
20:1	H500119	8-200 mm/s	8-250 mm/s	8-250 mm/s	8-200 mm/s
Variable speed drive 3 phase 230VAC	H500718				
10:1	H500118	172 mm/s	272 mm/s	272 mm/s	172 mm/s
Variable speed drive 3 phase 230VAC	H500308				
5:1	H500057	27-400mm/s	45-600 mm/s	45-600 mm/s	27-400mm/s
7.5:1	H500309	18-260 mm/s	28-400 mm/s	28-400 mm/s	18-260 mm/s
10:1	H500118	13-195 mm/s	20-300 mm/s	20-300 mm/s	13-195 mm/s
15:1	H500554	9-130 mm/s	14-200 mm/s	14-200 mm/s	9-130 mm/s
20:1	H500119	6.5-97.5 mm/s	10-150 mm/s	10-150 mm/s	6.5-97.5 mm/s
25:1	H500559	5.2-78 mm/s	8-120 mm/s	8-120 mm/s	5.2-78 mm/s
50:1	H500560	2.6-39 mm/s	4-60 mm/s	4-60 mm/s	2.6-39 mm/s
75:1	H500561	1.8-26 mm/s	3-40 mm/s	3-40 mm/s	1.8-26 mm/s
Fixed drive 250 1/min 230V 50Hz	250				
8:1	01	41 mm/s	65 mm/s	65 mm/s	
25:3	02	39 mm/s	62 mm/s	62 mm/s	
10:1	03	33 mm/s	52 mm/s	52 mm/s	
25:2	04	26 mm/s	41 mm/s	41 mm/s	
50:3	05	20 mm/s	30 mm/s	30 mm/s	
20:1	06	16 mm/s	25 mm/s	25 mm/s	
25:1	07	13 mm/s	20 mm/s	20 mm/s	
33.33:1	08	10 mm/s	15 mm/s	15 mm/s	
Fixed drive 500 1/min 230V 50Hz	500				
13.7:1	01	48 mm/s	72 mm/s	72 mm/s	
25:1	02	52 mm/s			
25:2	03		83 mm/s	83 mm/s	
10:1	04	65 mm/s	104 mm/s	104 mm/s	
52:3	05	78 mm/s			
8:1	06	82 mm/s	130 mm/s	130 mm/s	

(1) With a 130 x 1000mm conveyor belt
 (2) With a 130 x 2000mm conveyor belt

Choose your drive(2/2)

Type / Function	Article number	MFB	KFB	FB	GFB
Drive 24 VDC					
Complete drive	0111357	14 mm/s	23 mm/s		
	0111358	28 mm/s	46 mm/s		
	0101793	78 mm/s	125 mm/s		
	0111359	153 mm/s	244 mm/s		
	0111360	290 mm/s	464 mm/s		
	0111361	570 mm/s	912 mm/s		
Step drive 24-48VDC with integrated controller					
	H000962				
4:1	H000963	10-600 mm/s			
10:1	H000964	5-450 mm/s	5-600 mm/s	5-600 mm/s	5-300 mm/s
14:1	H000965	5-350 mm/s	5-500 mm/s		
Step drive 24-48VDC IP 65 with integrated controller					
	H000966				
4:1	H000963	10-350 mm/s			
10:1	H000964	5-400 mm/s	5-600 mm/s	5-600 mm/s	5-150 mm/s
14:1	H000965	5-300 mm/s	5-450 mm/s		
ATEX three-phase asynchronous drive 3 phases 400 VAC					
	H500156				
10:1	H500756	n/a	272mm/s	272mm/s	170 mm/s

Small conveyors also available without drive

Further choice - options & special conveyors

4

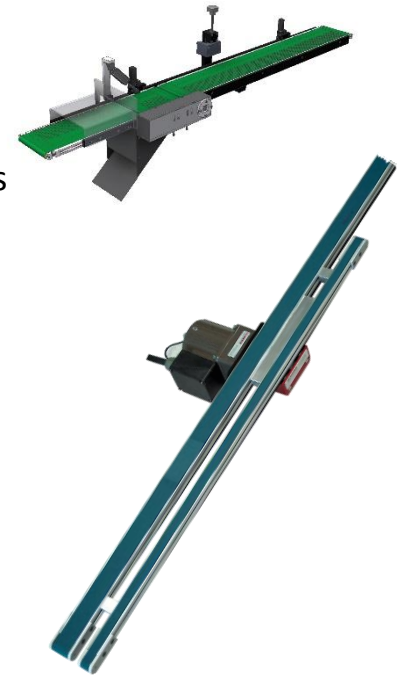


Additional options

- Wipers
- Lateral guide adjustable
- Congestion control
- Prism centering
- Workpiece guide on top
- Workpiece guide bottom

Special conveyor

- Synchronous conveyors
- Special length
- Special width



Get in contact with us for **your offer**

5

Define your specifications:

Small Conveyor

- Belt width B
- Belt length L
- Drive position X
- Belt material

Drive

- Article number drive
- Article number gear

Get your offer:

info@elmotec.ch

